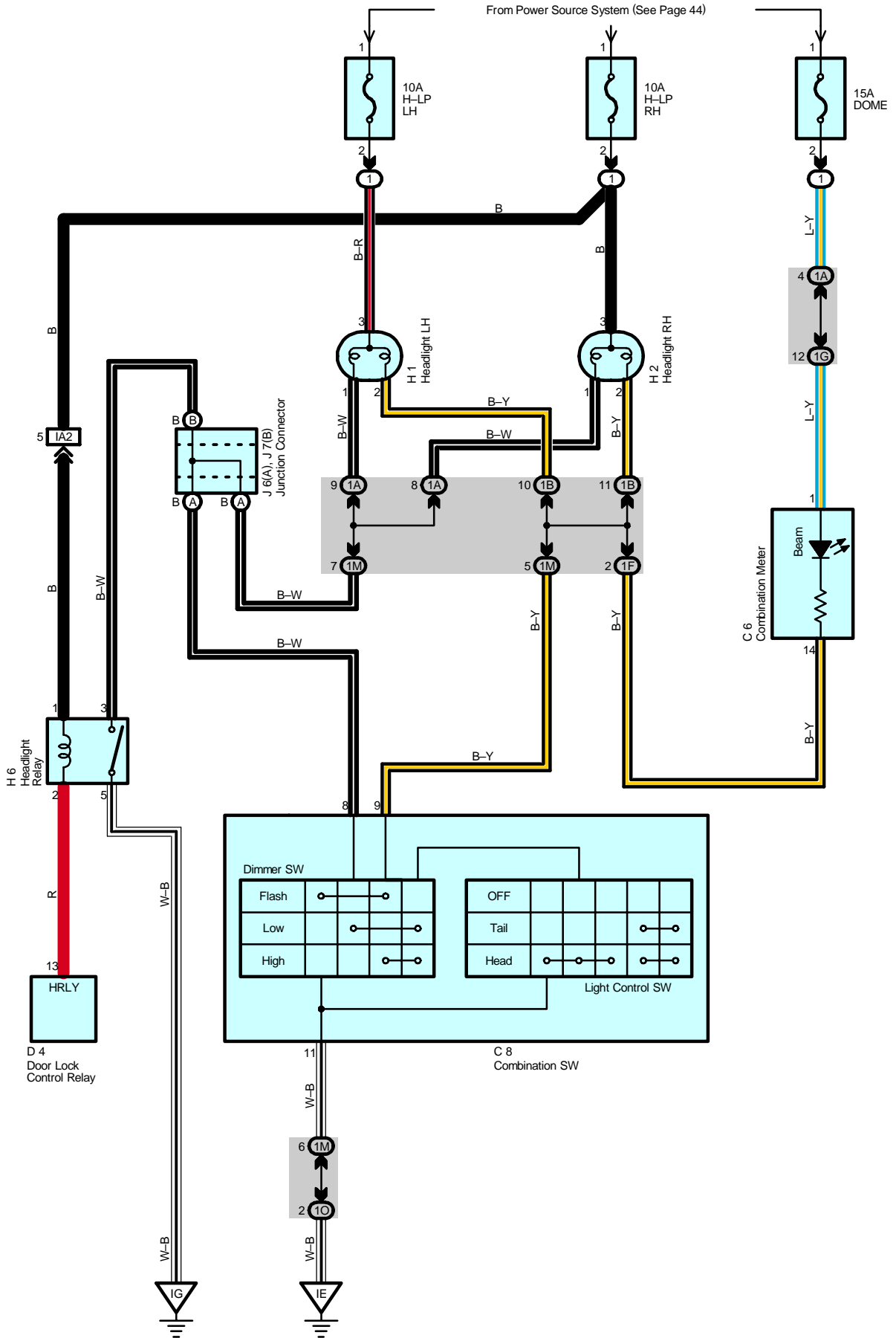


Headlight



Service Hints

C8 Combination SW

8-11 : Continuity with the dimmer SW at LOW position and the light control SW at HEAD position

9-11 : Continuity with the dimmer SW at FLASH position or the dimmer SW at HIGH position and the light control SW at HEAD position

: Parts Location

Code	See Page	Code	See Page	Code	See Page
C6	30	H1	28	J6	A 31
C8	30	H2	28	J7	B 31
D4	30	H6	30		

: Relay Blocks

Code	See Page	Relay Blocks (Relay Block Location)
1	22	Engine Room R/B (Engine Compartment Left)

: Junction Block and Wire Harness Connector

Code	See Page	Junction Block and Wire Harness (Connector Location)
1A	24	Engine Room Main Wire and Instrument Panel J/B (Lower Finish Panel)
1B		
1F	25	Instrument Panel Wire and Instrument Panel J/B (Lower Finish Panel)
1G		
1M		
1O		

: Connector Joining Wire Harness and Wire Harness

Code	See Page	Joining Wire Harness and Wire Harness (Connector Location)
IA2	36	Engine Room Main Wire and Instrument Panel Wire (Behind the Reinforcement LH)

: Ground Points

Code	See Page	Ground Points Location
IE	36	Left Kick Panel
IG	36	Right Kick Panel