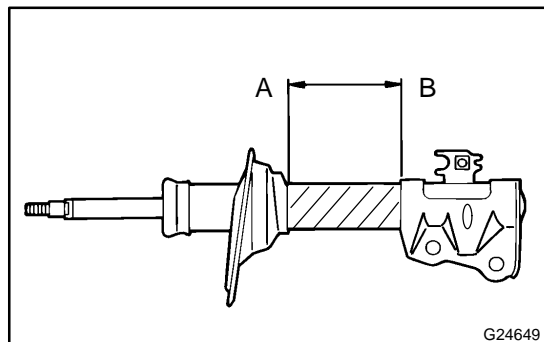


DISPOSAL

HINT:

Disposal of the RH is the same as that of the LH.



1. DISPOSE OF SHOCK ABSORBER ASSY FRONT LH

- (a) Fully extend the shock absorber rod.
- (b) Using a drill, make a hole in the cylinder somewhere between A and B as shown in the illustration to discharge the gas inside.

CAUTION:

- Be careful when drilling because shards of metal may fly about, so always use the proper safety equipment.
- The gas is colorless, odorless and non-poisonous.