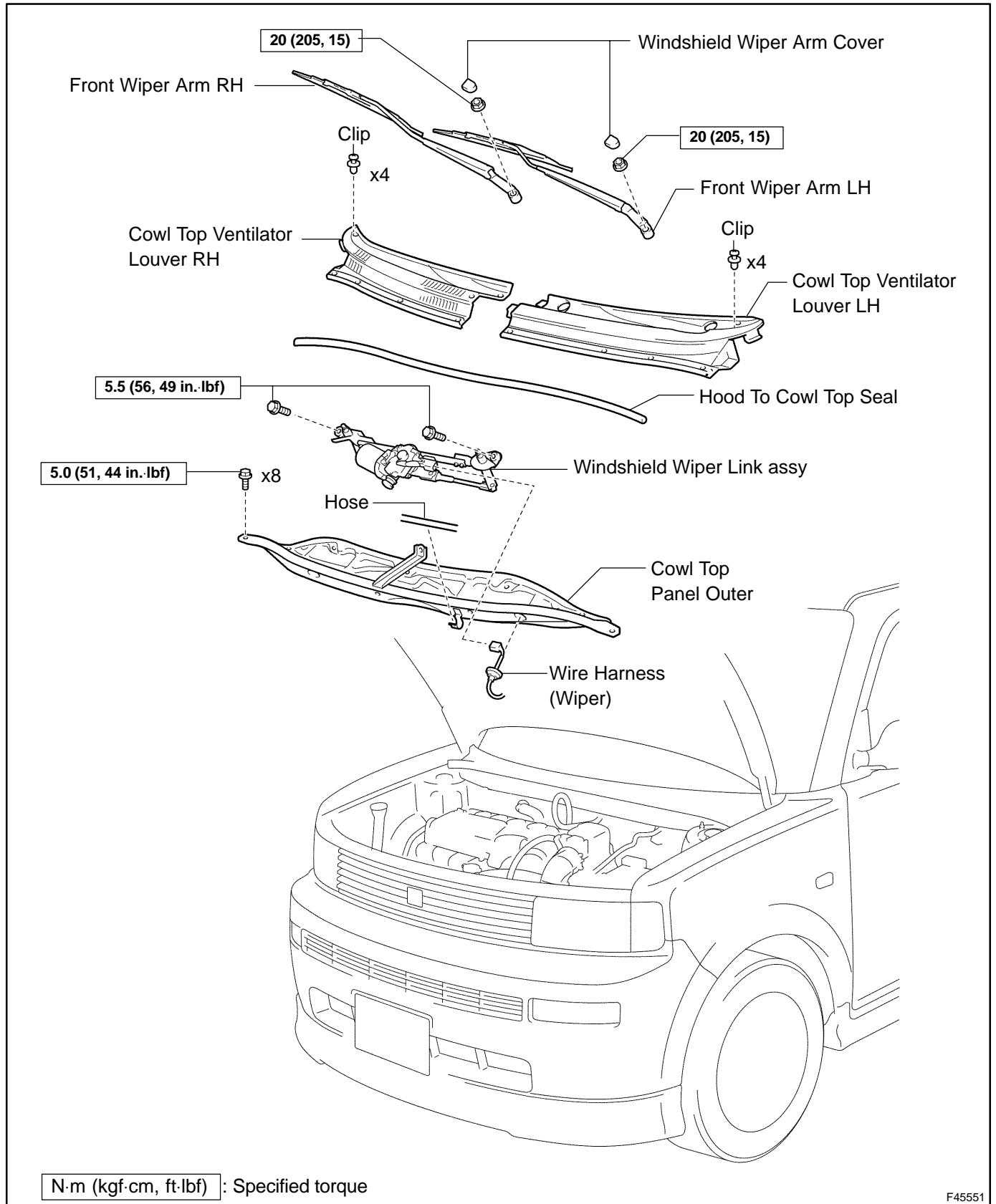
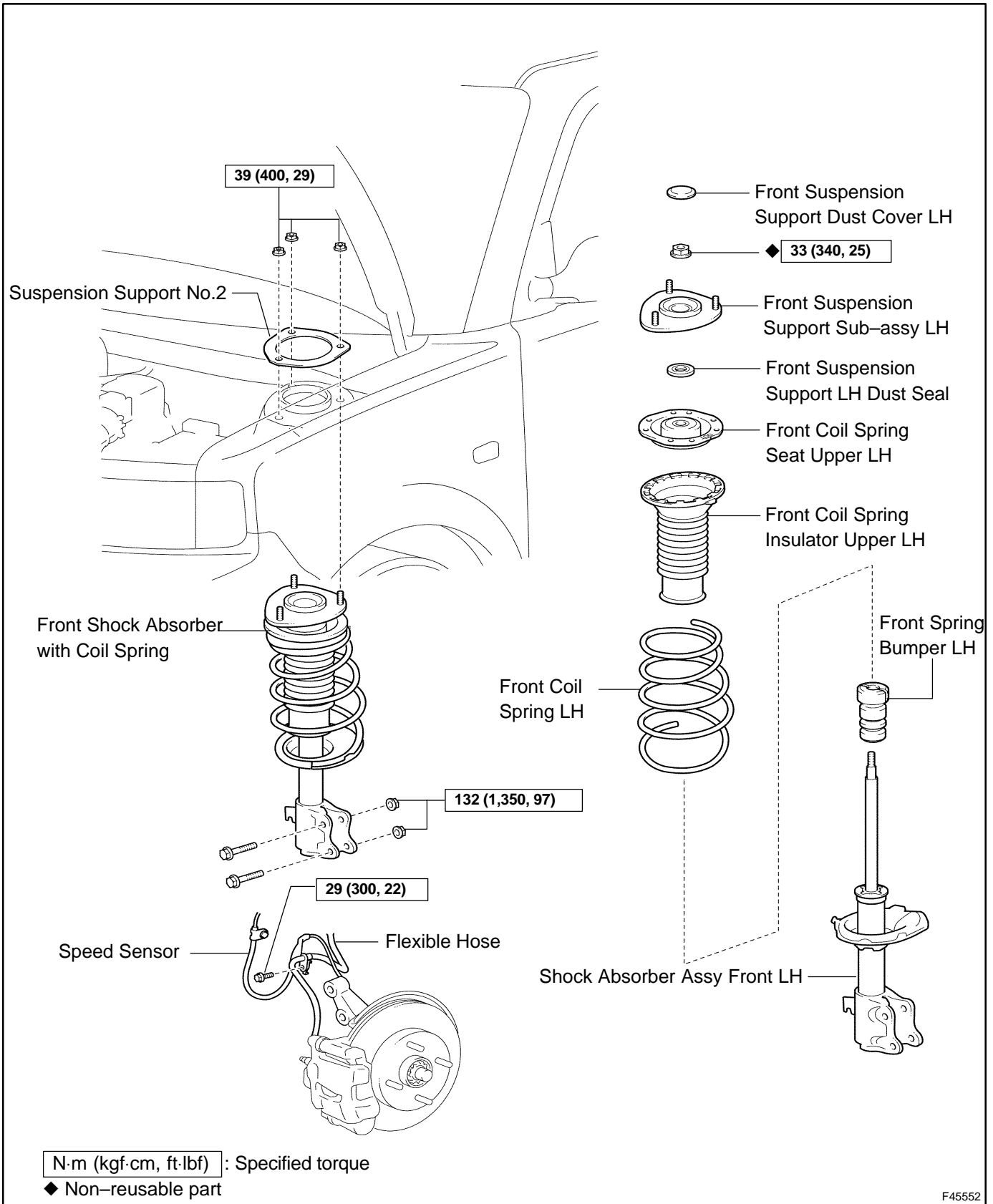
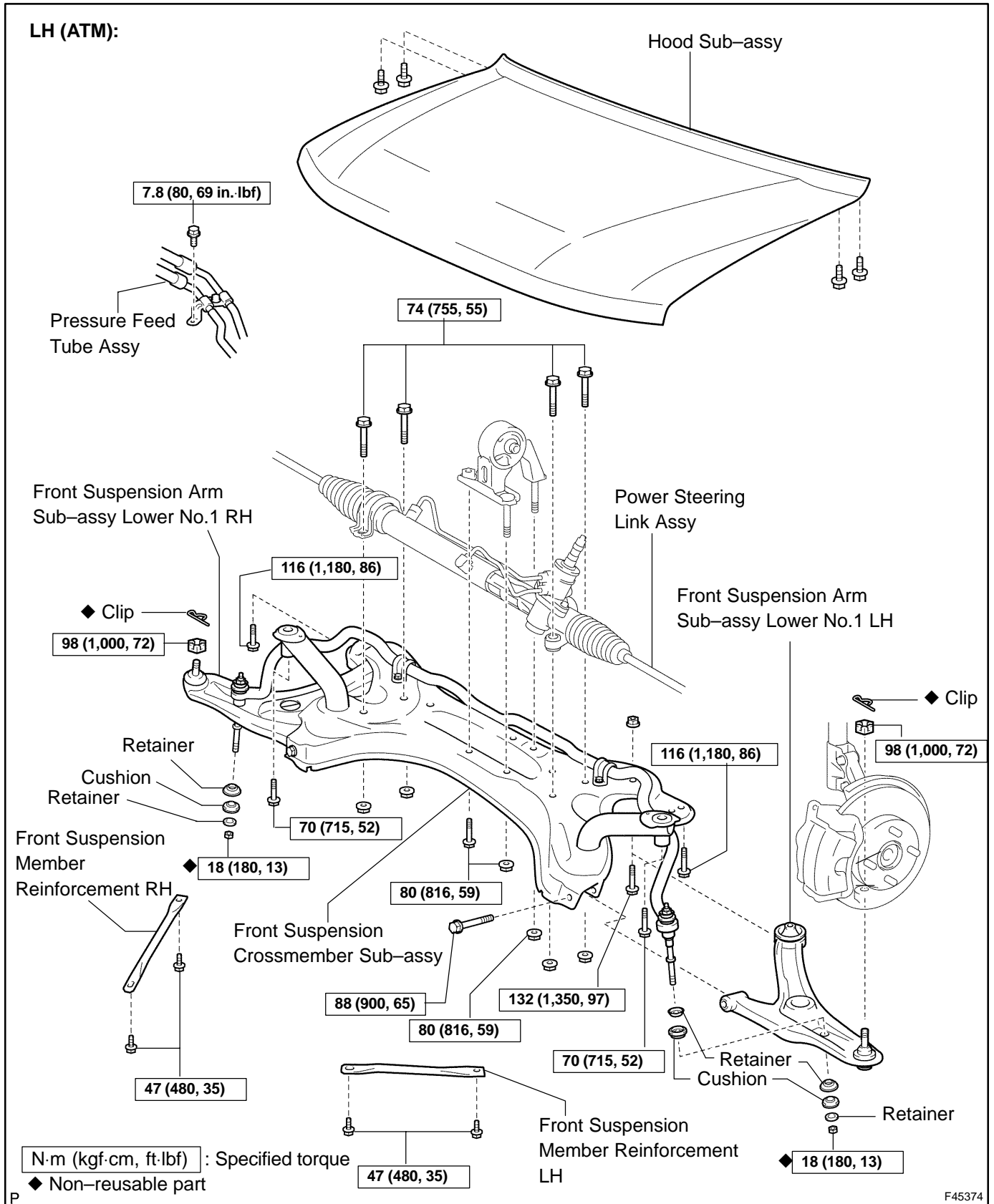


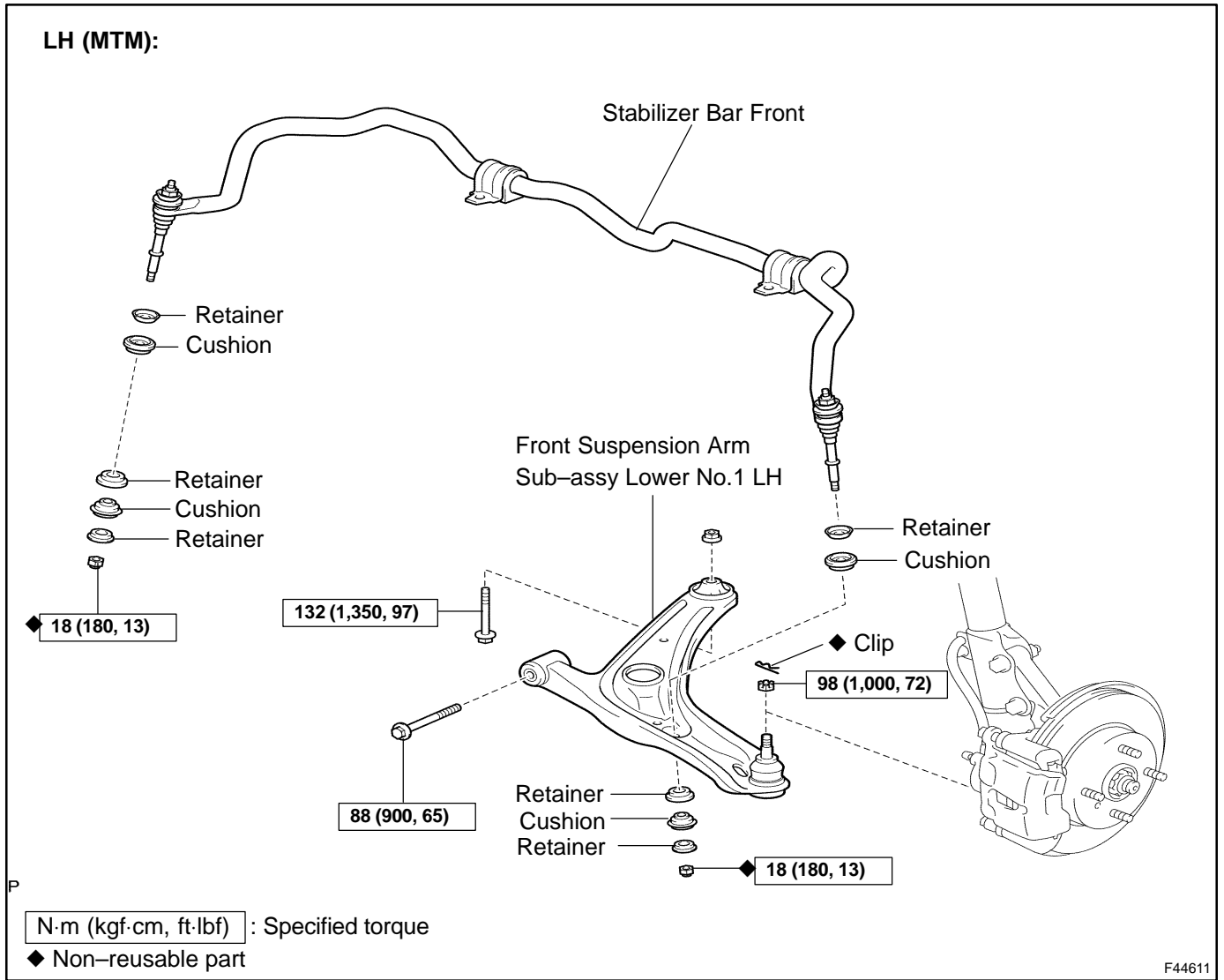
# FRONT SUSPENSION COMPONENTS

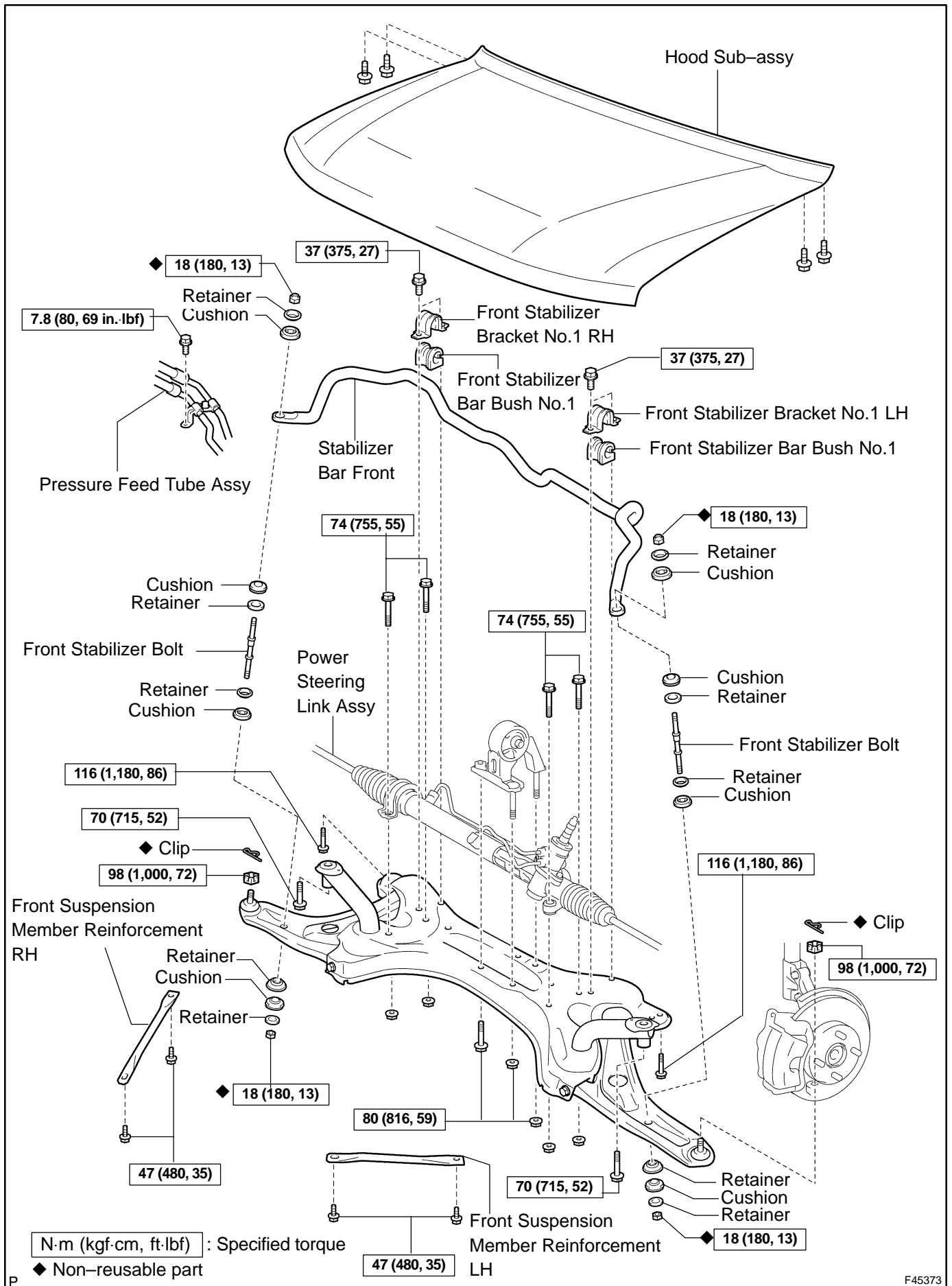
260F3-01











F45373